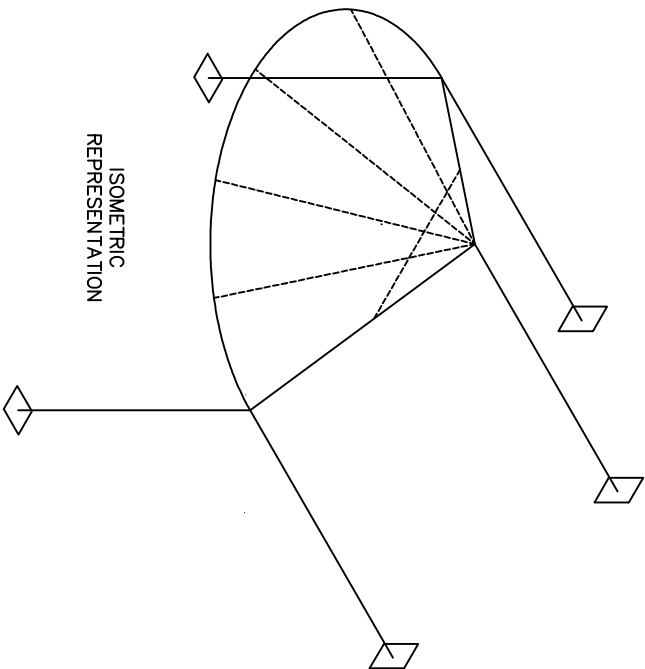


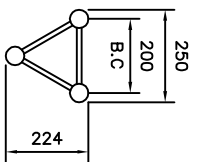
----- SINGLE 2" TUBE BRACING



ISOMETRIC REPRESENTATION

[Opti] Trilite
 38 CROMWELL ROAD, LUTON
 BEDS, LU3 1DN, ENGLAND
 TEL: +44 (0)1582 411413
 FAX: +44 (0)1582 400613
 E-MAIL OPTIUK@OPTIKINETICS.COM
 WEBSITE WWW.OPTIKINETICS.COM

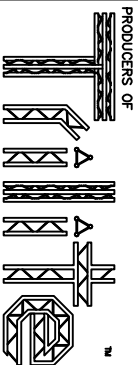
TRILITE SPECIFICATIONS :



TRILITE IS CONSTRUCTED FROM
 2" [50mm] x 16 SWG [1.6mm WALL]
 EXTRUDED ALUMINIUM TUBING WITH
 1/4" [12.7mm] x 16 SWG LACING SPARS.

NOTES :

1. ALL DIMENSIONS ARE IN MILLIMETRES
 DIMENSIONS SHOWN THUS [xxx] ARE IN INCHES



DRAWING FOR CUSTOMER APPROVAL
 APPROVED BY:
 COMPANY:

DATE:

REV 4

REV 3

REV 2

REV 1

SHEET 1

DRAWN BY: -

DREW

DRAWING No: -

KEN SEWELL1.DWG

SCALE : N.T.S.

DATE: -

27-05-08